

Prinzing Ball Valve Lockout

Catalog #: 45341, BS07A, BS08A, BS07-BU, BS07-GN, BS07-YW, BS08A-BU, BS08A-GN, BS08A-YW

www.bradyid.com

Design

- Made from ultra tough polypropylene
- Small lockout locks OUT pipes 1/2" to 2.5" in diameter, and can also be used to lock valves OPEN on pipes from 1/2" to 1.25" in diameter
- Large lockout locks out pipes 2" to 8" in diameter
- Available in four colors

Material

- Polypropylene
 - Colors: Red, Yellow, Blue, and Green

Temperature Range

- Polypropylene: -20° to 80°C (0° to 175°F)

Chemical Resistance

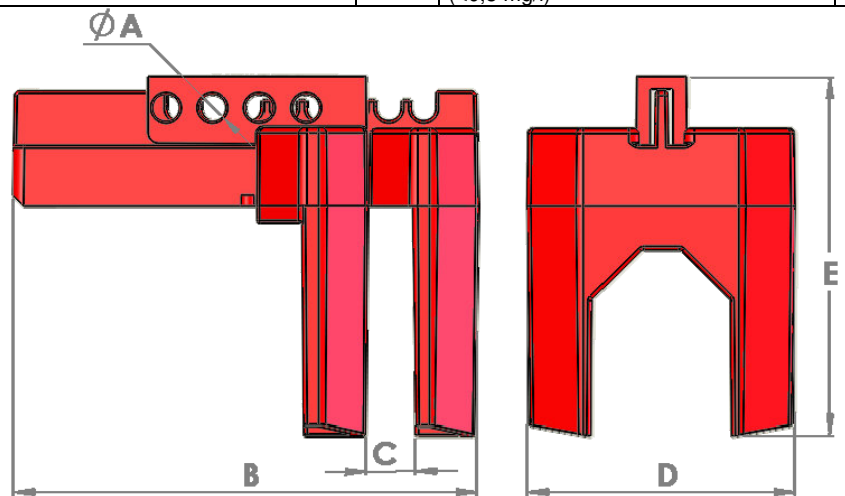
All approved chemicals listed are based on the manufactures specified chemical resistance chart for plastic material only.

Dimensions

| | | Small | Large |
|-----|---|-----------------------------------|--------------------------------|
| "A" | – | 0.29" [7.24mm] | 0.33" [8.40mm] |
| "B" | – | 5.29" [134.29mm] | 12.00" [305mm] |
| "C" | – | 0.57" to 2.07" [14.5mm to 52.5mm] | 2.00" to 7.87" [50mm to 200mm] |
| "D" | – | 3.05" [77.47mm] | 4.65" [118mm] |
| "E" | – | 4.07" [103.45mm] | 8.66" [220mm] |



| Chemical | °C | Chemical | °C |
|---|-------|---|-------|
| Acetone | 25 | Petroleum | 25 |
| Acetone | 60 | Turpentine oil | 25 |
| Chlorine, chlorine water | 25 | Turpentine substitute (white spirit) | 25 |
| Fuel, engine: Gasoline (normal & premium grade) | 85 | Trichloroethane 1,1,1 | 45 |
| Lubrication oil: gear oil | < 120 | Lubricating oil: HD engine oils, hydraulic oils, transformer oils | < 120 |
| Fuel, engine: M15 mixture (15% methanol) | 70 | Water (including seawater) | 25 |
| Methanol | 25 | Water (including seawater), chlorinated (<0,5 mg/l) | 80 |



Warranty

Note: All values shown are averages and should not be used for specification purposes. Test data and test results contained in this document are for general information only and shall not be relied upon by Brady customers for designs and specifications, or be relied on as meeting specified performance criteria. Customers desiring to develop specifications or performance criteria for specific product applications should contact Brady for further information. Product compliance information is based upon information provided by suppliers of the raw materials used by Brady to manufacture this product or based on results of testing using recognized analytical methods performed by a third party, independent laboratory. As such, Brady makes no independent representations or warranties, expressed or implied, and assumes no liability in connection with the use of this information.

MSDS Information

1. HAZARDS IDENTIFICATION

This product is NOT DANGEROUS and contains no hazardous ingredients.

2. FIRST AID MEASURES/HEALTH INFORMATION /PROTECTION

| | |
|----------------------|--|
| Eye Contact: | Not applicable, product is inert |
| Ingestion: | Not applicable, first aid is not normally required. |
| Inhalation: | Not applicable |
| Skin Contact: | Not applicable, product is inert, except if product is melted use gloves. For hot melted product, immerse in or flush affected area with water to dissipate heat, then obtain medical attention. |
| Exposure Limits: | None |
| Threshold Limits | None |
| Personal Protection: | None (ambient conditions) |
| NPCA-HMIS Rating: | Health: 0; Flammability: 1; Reactivity: 0 |
| NFPA-704 Rating: | Health: 0; Flammability: 1; Reactivity: 0 |

3. FIRE-FIGHTING MEASURES

| | |
|--|--|
| <ul style="list-style-type: none"> Be cautious of hot melted Nylon | <ul style="list-style-type: none"> Use water spray to cool fire, exposed surfaces, and to protect personnel |
| <ul style="list-style-type: none"> Isolate product from fire | <ul style="list-style-type: none"> Respiratory and eye protection is required for fire fighting personnel |
| <ul style="list-style-type: none"> Extinguish fire with water spray | <ul style="list-style-type: none"> Decomposition products under fire conditions: Oxygen-lean conditions may cause monoxide and irritating smoke |

4. ACCIDENTAL RELEASE MEASURES

| | |
|-------|---|
| Land | Recover material and place in suitable container for reuse or for disposal in conformance with local regulations. |
| Water | Recover material and place in suitable container for reuse or for disposal in conformance with local regulations. |

5. HANDLING AND STORAGE

| | |
|---|--|
| 5.1 Handling | 5.2 Storage |
| No precautions noted-see local regulation if needed | Storage pressure: Atmospheric |
| | Storage temperature: Ambient, no direct sunlight |

6. EXPOSURE CONTROLS/PERSONAL PROTECTION

| | |
|---------------------------|--|
| 6.1 Exposure limit values | 6.2 Exposure Controls |
| None | 6.2.1 Occupational Exposure Controls |
| | 6.2.1.1 Respiratory Protection: Not applicable |
| | 6.2.1.2 Hand Protection: Not applicable |
| | 6.2.1.3 Eye Protection: Not applicable |
| | 6.2.1.4 Skin Protection: Not applicable |
| | 6.2.2 Environmental Exposure Controls: No data available |

7. PHYSICAL AND CHEMICAL PROPERTIES

| | |
|---------------------|--|
| General Information | |
| Other Information | |

8. STABILITY AND REACTIVITY

| |
|---|
| 8.1 Conditions to Avoid |
| Higher Temperatures and direct sunlight (chemical resistance is excellent) |
| Highly stable, but temperatures over 480 F may cause degradation |
| 8.2 Materials to Avoid |
| No data available |
| 8.3 Hazardous Decomposition Products |
| Under fire and oxygen-lean conditions may cause monoxide and irritating smoke |

MSDS Information (continued)

9. ECOLOGICAL INFORMATION

| | |
|-----------------------------------|-------------------|
| 9.1 Ecotoxicity | No data available |
| 9.2 Mobility | No data available |
| 9.3 Persistence and Degradability | No data available |
| 9.4 Bioaccumulative Potential | No data available |
| 9.5 Other Adverse Effects | No data available |

10. DISPOSAL CONSIDERATIONS

The material in this product is completely Recyclable. Dispose of all materials in accordance with an applicable federal, state, and local law.

11. TRANSPORT INFORMATION

No data available

12. REGULATORY INFORMATION

This product has been tested and validated to the Regulatory Requirements listed below:

- OSHA 29 CFR 1910.147 ©(4)(ii)(A)(1)/(c)(5)(ii)(C)(1)
- ANSI Standard Z244

13. OTHER INFORMATION

No data available

Sollten Sie noch Fragen haben,
kontaktieren Sie uns bitte.

Leymann Tel. 0511-7805-0
 Punktum GmbH Fax 0511-7805-206
 Lehdamm 17 punktum@leymann.de
 30853 Langenhagen www.leymann.de



Wir helfen Ihnen gerne weiter.